



TECAPRES®

Ø63mm
2100daN

TITAN 63

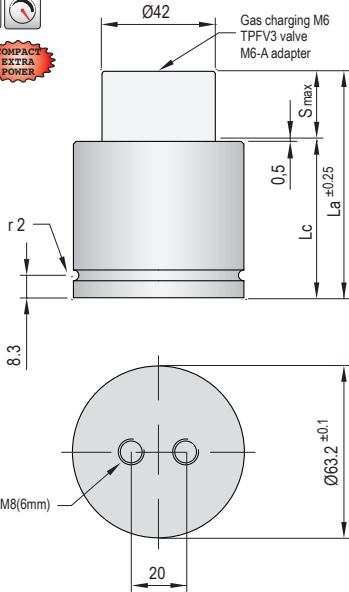
VDI SAFETY



COMPACT
EXTRA
POWER



PED
2014/68/UE

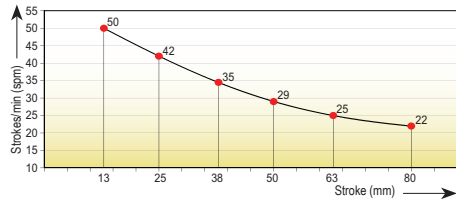


i Pressure medium **Nitrogen (N₂)**

Max. charging pressure	150 Bar
Min. charging pressure	50 Bar
Rod seal area	13,85 cm ²
Operating temperature	0°C - 80°C
Force increase by temperature	0,33 %/°C
Max. stem speed	0,8 m/s
Maintenance kit	Kit T63

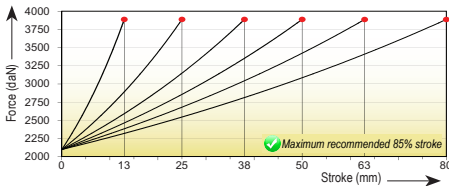


Maximum strokes / minute (at 20°C)

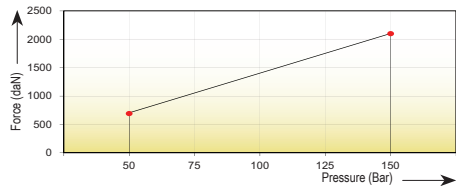


Code	Smax mm	La mm	Lc mm		Fa daN		F daN		Fc daN		P Bar	V l		Kg	
TITAN 63x13	13	60	47	2100 ±5% (20°C)	3410		3410		3845		150 (20°C)	0,039		0,87	
TITAN 63x25	25	84	59				3410		3845					0,075	0,92
TITAN 63x38	38	110	72				3410		3845					0,115	1,30
TITAN 63x50	50	134	84				3410		3845					0,151	1,55
TITAN 63x63	63	160	97				3410		3845					0,190	1,70
TITAN 63x80	80	194	114				3410		3845					0,241	1,85

Force/stroke ratio



Initial force/charging pressure ratio



Assembly possibilities



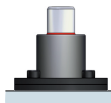
Follow guidelines
Page 287



DROP-IN



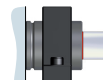
SCREWS



FS 63
FSC 63-FSC 63/1



FB 50-FB 63



FI 63/1